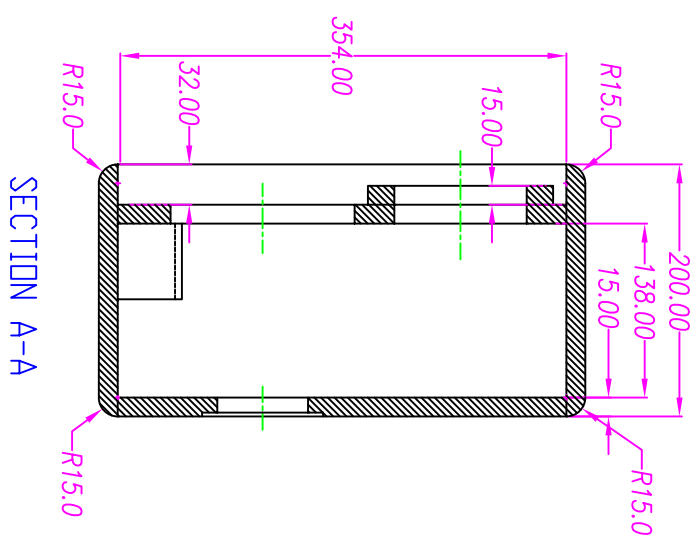
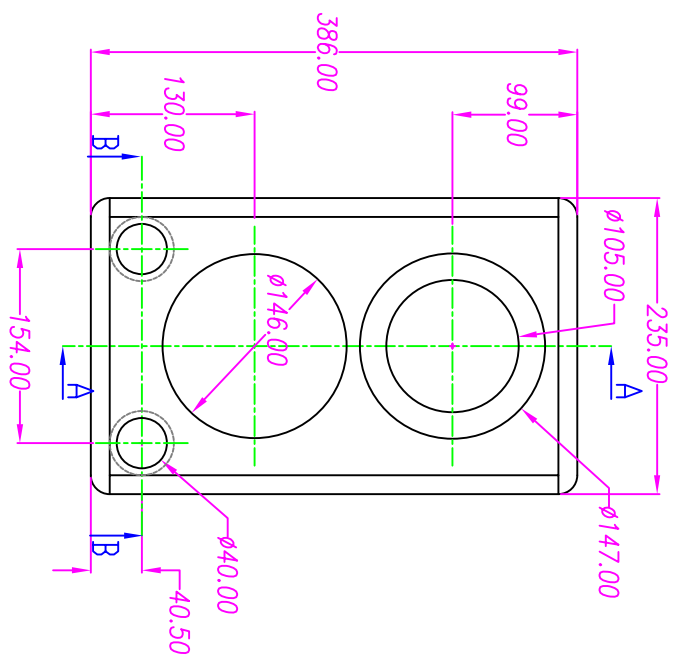


SECTION B-B



SECTION A-A

